



SPECIFICATIONS

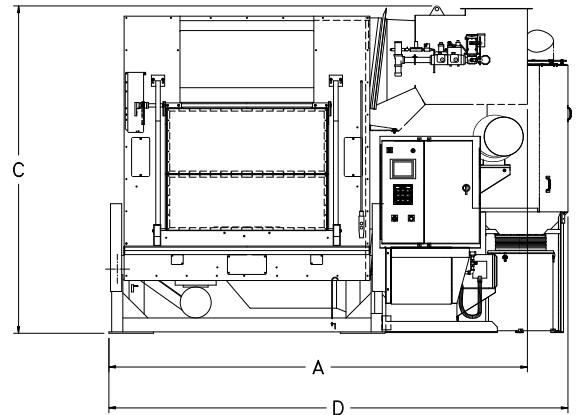
MODEL	CPG-400	CPG-600
CAPACITY - LBS (KG)	475 (215)	700 (318)
BASKET DIAMETER - IN (MM)	69" (1,752)	79" (2,006)
BASKET DEPTH - IN (MM)	69" (1,752)	75-3/4" (1,924)
BASKET VOLUME - CU FT (LITERS)	155 (4,388)	210 (5,945)
DOOR DIAMETER - IN (MM)	55" (1,397)	55" (1,397)
BLOWER MOTOR - HP (KW)	20 (14.9)	20 (14.9)
BASKET DRIVE MOTOR - HP (KW)	5 (3.73)	7.5 (5.59)
COMBUSTION BLOWER MOTOR - HP (KW)	2 (1.5)	2 (1.5)
BASKET - RPM	28	28
ELECTRICAL SERVICE @ 480V	50 AMP	50 AMP
GAS INLET SIZE	2" NPT	2" NPT
MAXIMUM GAS INPUT	2.75 MM BTU/HR	2.75 MM BTU/HR
MAXIMUM GAS PRESSURE	5 PSIG	5 PSIG
MINIMUM GAS PRESSURE	1 PSIG	1 PSIG
COMPRESSED AIR INLET SIZE	1/4" NPT	1/4" NPT
WATER INLET SIZE	3/4" NPT	3/4" NPT
MAKE-UP AIR INLET CONNECTION SIZE	* 31-3/4" X 22"	* 31-3/4" X 22"
EXHAUST AIR DUCT CONNECTION SIZE	* 24" W/ ULF-10	* 24" W/ ULF-10
EXHAUST VOLUME	7,500 CFM	7,500 SCFM
CYLINDER LOADING ANGLE	20 DEGREES	20 DEGREES
CYLINDER UNLOADING ANGLE	10 DEGREES	10 DEGREES
NUMBER OF FORMULAS	99	99
SHIPPING WEIGHT - LBS (KG)	8,600 (3,908)	10,600 (4,818)
(W/ ULF-10 LINT FILTER)		

* 30" DIA. OR AREA OF 707 SQ. INCHES IF ULF-10 NOT INSTALLED

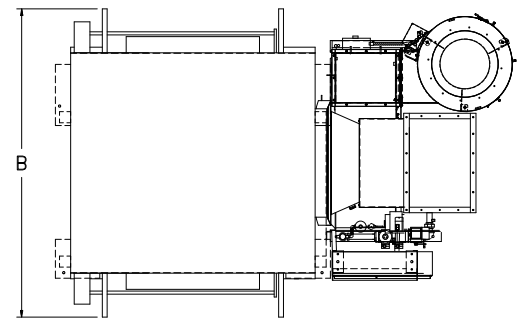
DIMENSIONS - IN (MM)

MODEL	CPG-400	CPG-600
A WIDTH OF MACHINE	144" (3,658)	152" (3,861)
B SHIPPING DEPTH	103-7/8" (2,639)	111" (2,819)
C SHIPPING HEIGHT	100" (2,540)	117-1/8" (3,976)
D OVERALL WIDTH - W/ULF-10	156-5/8" (3,962)	164-5/8" (4,181)
E OVERALL OPERATING DEPTH	164-5/8" (4,181)	172-1/8" (4,372)
F OVERALL OPERATING HEIGHT	123-5/8" (3,138)	127-1/2" (3,238)
G DOOR BOTTOM HEIGHT - LOAD	60-5/8" (1,540)	60-5/8" (1,540)
H DOOR BOTTOM HEIGHT - UNLOAD	38" (965)	38-7/8" (991)

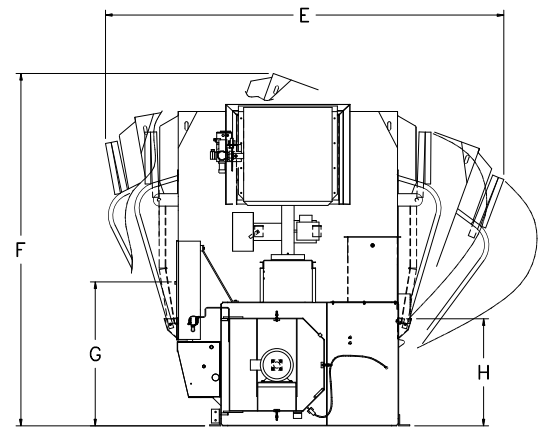
SPECIFICATIONS APPLY AT TIME OF PRINTING (04/02/15)



FRONT ELEVATION



PLAN VIEW



RIGHT SIDE ELEVATION

BRIM LAUNDRY MACHINERY CO., INC.

302 Nichols Dr., Hutchins, TX 75141

Tel: 214-630-4517 | 800-527-5886 | Fax: 214-637-3217

BrimLdry.com